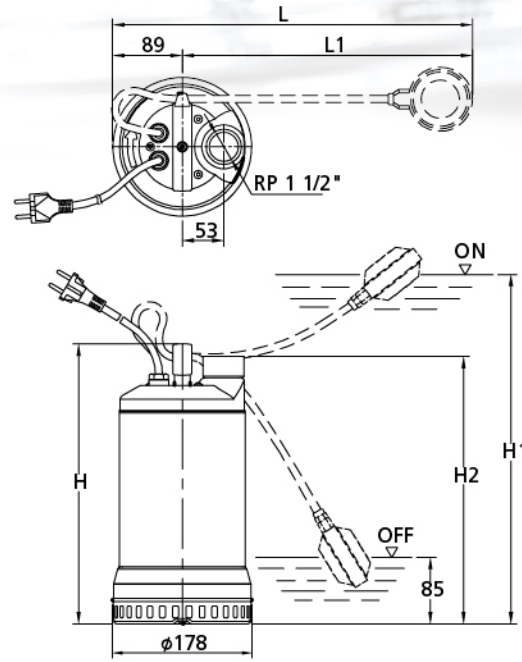


EFSS-Series Dimensions



Type	Dimensions (mm)						
	H		H1	H2		L	L1
	1PH	3PH		1PH	3PH		
40EFSS-5.07	357	357	-	341	341	-	-
40EFSS-5.07A	357	-	437	341	-	459	370
40EFSS-5.10	407	357	-	391	341	-	-
40EFSS-5.10A	407	-	497	391	-	514	425
40EFSS-5.15	407	407	-	391	391	-	-
40EFSS-5.15A	407	-	497	391	-	514	425
40EFSS-5.20	-	407	-	-	391	-	-



Official agent Benelux

EVAK PUMP TECHNOLOGY CORP.

No. 551, Zhongshan Rd., Qingshui Dist., Taichung City 436, Taiwan.
 TEL: +886-426-233556 Fax: +886-426-235559

Vol. EFSS-14011



EFSS

SERIES 50HZ

Submersible Drainage Pump



www.evak-pumps.com

EFSS SERIES 50HZ

Submersible Drainage Pump

Feature

- / Fully made in stainless steel SUS 304
- / Double mechanical seal in Si.Ca and V ring oil seal
- / Suction flange line with thermoplastic polyurethane for increased resistance to abrasion
- / Suspended solids handled up to 8 mm.
- / Thermal protector embedded in the winding (single phase)
- / 10 metres HO7RN-F neoprene power cable

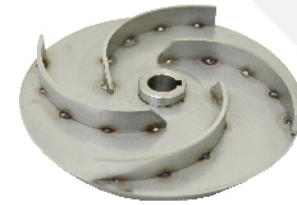
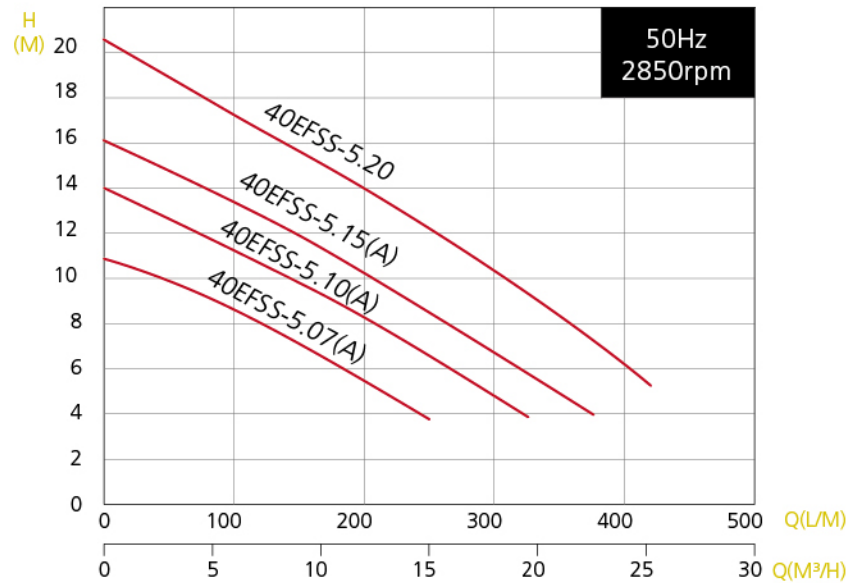
Application

- / Drainage of cellars, basements, garages
- / Emptying of tanks and reservoirs - irrigation of lawn and garden
- / Pumping of domestic grey water, washing machines, showers
- / Pumping of clean and dirty water

Specifications

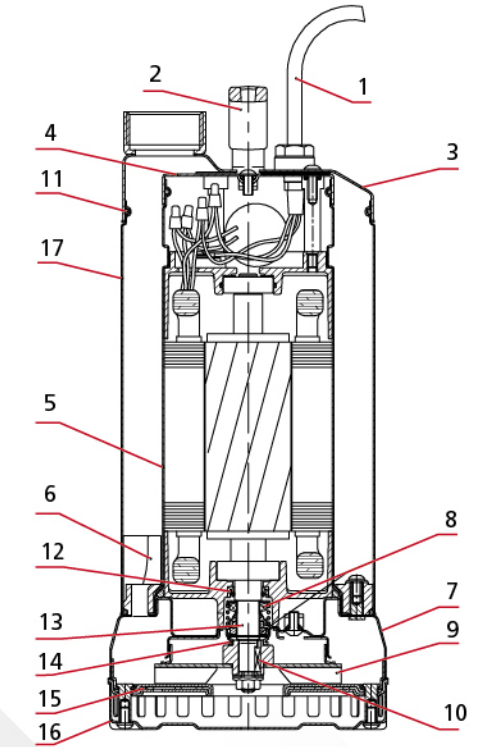
Liquid Temperature	0~35°C (32~95°F)	
Submersible depth	7M	
Motor Part	Frequency	50Hz
	Pole	2 Pole
	Type	Dry Type
	Insulation	Class F
	Protection	IP 68
Pump Part	Protector	Thermal Protector (1PH)
	Bearing	Double-shielded Ball Type
	Mechanical seal	Dual. Mechanical Seal
	Impeller	Open

Performance Curve



Parts and Material List

No	Part	Material
1	Cable	H07RN-F
2	Handle	SUS 304+Nylon
3	Pump Cover	SUS 304
4	Motor Cover	SUS 304
5	Housing	SUS 304
6	Fixing Ring	Nylon+30GF
7	Pump body	SUS 304
8	Mechanical seal	Silicon Carbide/Silicon Carbide/NBR
9	Impeller	SUS 304
10	Key	SUS 304
11	O-RING	NBR
12	Oil Seal	NBR
13	Shaft	SUS 304
14	V-type Axial Oil Seal	NBR
15	Suction flange	SUS 304/Thermoplastic polyurethane TPU
16	Strainer	SUS 304
17	Pump Casing	SUS 304



Data Chart

Type	Output		Discharge	F.L.A.		Rated		Maximum		Cable	Free Passage	Weight
	HP	KW		1ø 230V	3ø 400V	Head m	Cap. LPM	Head m	Cap. LPM			
40EFSS-5.07	0.75	0.55	1 1/2"	3.58	1.33	8.6	100	10.9	250	10	8	11
40EFSS-5.07A	0.75	0.55	1 1/2"	3.58	-	8.6	100	10.9	250	10	8	11.5
40EFSS-5.10	1	0.75	1 1/2"	4.78	2.07	11.2	100	14	325	10	8	14(1PH)/11(3PH)
40EFSS-5.10A	1	0.75	1 1/2"	4.78	-	11.2	100	14	325	10	8	14.5
40EFSS-5.15	1.5	1.1	1 1/2"	7.21	2.48	11.9	150	16.1	375	10	8	16(1PH)/14(3PH)
40EFSS-5.15A	1.5	1.1	1 1/2"	7.21	-	11.9	150	16.1	375	10	8	16.5
40EFSS-5.20	2	1.5	1 1/2"	-	3.31	15.6	150	20.6	420	10	8	16

